

T28P

Advanced Executive IP Phone

6-Line Executive IP Phone with DSS keys and extra large LCD screen

HD Voice

PoE 6

Headset Port



T28P is an executive IP phone designed for true versatility and optimum efficiency in the dynamic office environment. Unrivalled HD voice quality, innovative functional richness and friendly user interface combine with contemporary design for a truly advanced professional handset.

T28P

Network Features

SIP v1(RFC2543), v2(RFC3261)
NAT transverse: STUN mode
IP Assignment: Static/DHCP/PPPoE
In-Band DTMF, Out-of-Band DTMF, SIP Info
Proxy mode and Peer-to-peer SIP link mode
TFTP/DHCP/PPPoE client
Telnet/HTTP server
DNS client
NAT/DHCP server
Support VLAN, QoS
PoE optional

Voice Features

Wideband Codec: G.722, voice spectrum between 50-7000Hz
Narrowband Codecs: G.711, G.726, G.723.1/iLBC, G.729AB and GSM
VAD, CNG, AEC, PLC, AJB, AGC
Full-duplex hands-free speakerphone
-compliant with IEEE 1329
support Hearing Aid Compatible (HAC)

Security

Secure RTP
Digest authentication using MD5/MD5-
sess
Secure configuration file via AES
encryption

Telephony Features

Call Hold, Call Waiting, Call Transfer, Call Forward
Caller ID, Call List, DND, Redial, Flash
3-way Conference, Speed Dial
Personal Ring Tone, Voicemail
Volume Adjustment, Mute, Speakerphone
Logo Customization, Black List, Phone Lock
Admin/User Configuration Mode
Contact List Export/Import
System Log Export/Import
Hotline, Signal Tone Settable
Multi-language

IP PBX System Integration

SMS, BLF/BLA, Paging, Intercom
Downloadable enterprise phonebook
Call Park, Call Pickup, Distinctive Ringtone
Auto-answer, Dial Plan, Dial-now

Config, Upgrade and Usage

Firmware Upgrade: TFTP/Console/Auto-provision
Auto-provision: TR069 Optional
Direct IP call without SIP proxy
Dial number via SIP server
Dial URL via SIP server

Physical Features

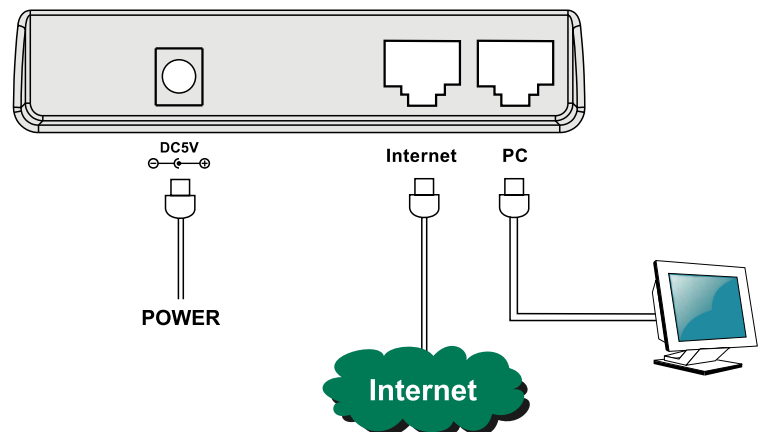
TI Titan Chipset
LCD: White backlit 320x160
4-level grayscales
16 DSS Keys, 4 soft keys
Network Interface: 2xRJ45 10/100M ports
Headset port: RJ9
Expansion Module Port
Speaker: 8 Ohm/1 Watt
Dimension: 310 x 290 x 110 mm
Weight: 1.6 kg
Power adapter: Input: AC 100~240V
Output: DC 5V/1A
Operating humidity: 10~95%
Storage temperature: up to 60 C

Package Features

Qty per Carton: 5
Carton Weight: 8.8 Kgs
Carton Dims: 335 x 595 x 570 mm

Certifications

WEEE



Yealink

EASY VoIP